

# SPARE PARTS SECTION

## Pipe & Tube Notcher - Linisher

### Models

### PN-76E

Order Code, L850

EDITION No : PN-76E-1

DATE OF ISSUE : 12/2023

The following section covers the spare parts diagrams and lists that were current at the time this manual was originally printed. Due to continuous improvements of the machine, changes may be made at any time without notification.

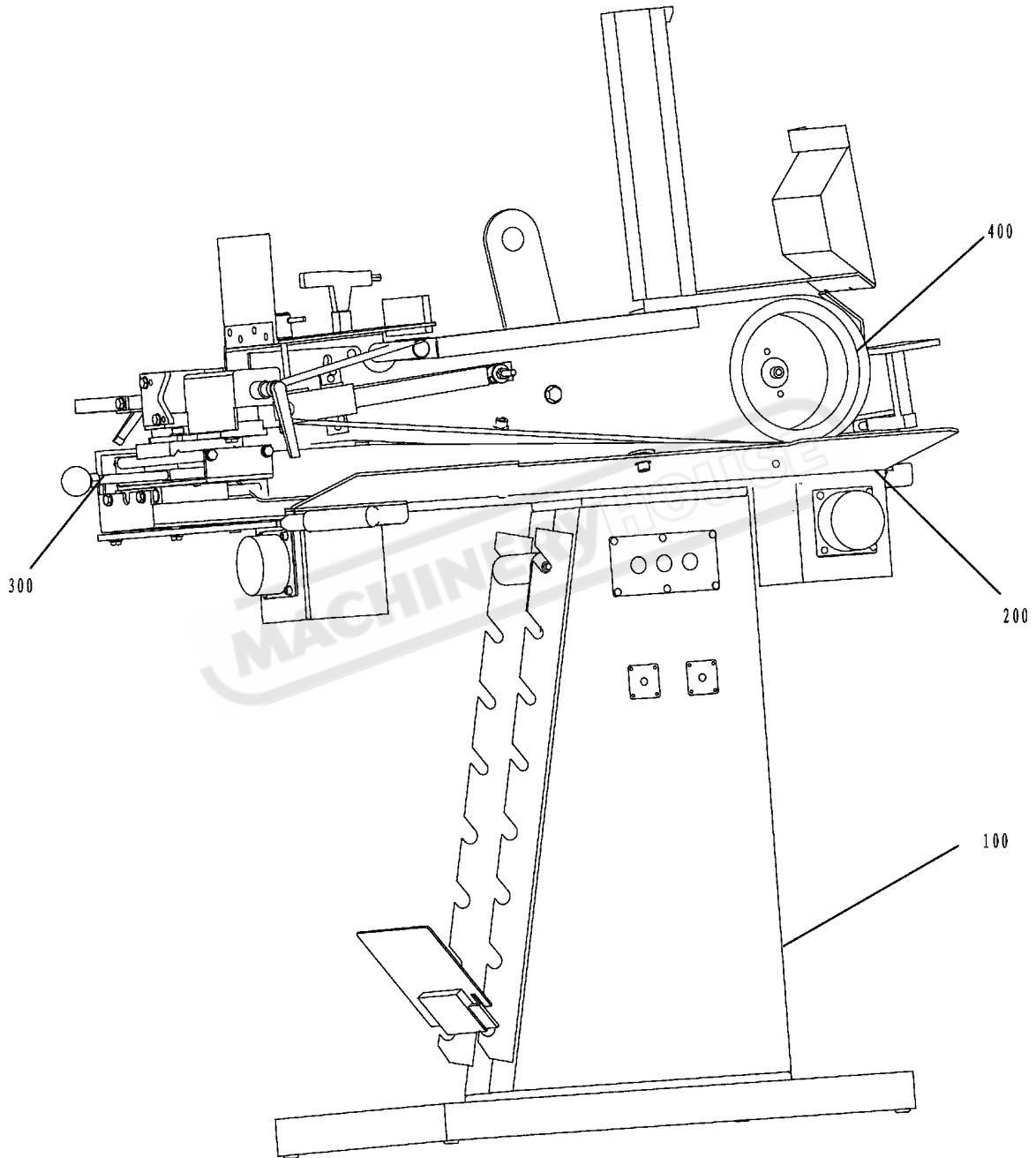
### HOW TO ORDER SPARE PARTS

1. Have your machines model number, serial number & date of manufacture on hand, these can be found on the specification plate mounted on the machine
2. A scanned copy of your parts list/diagram with required spare part/s identified.

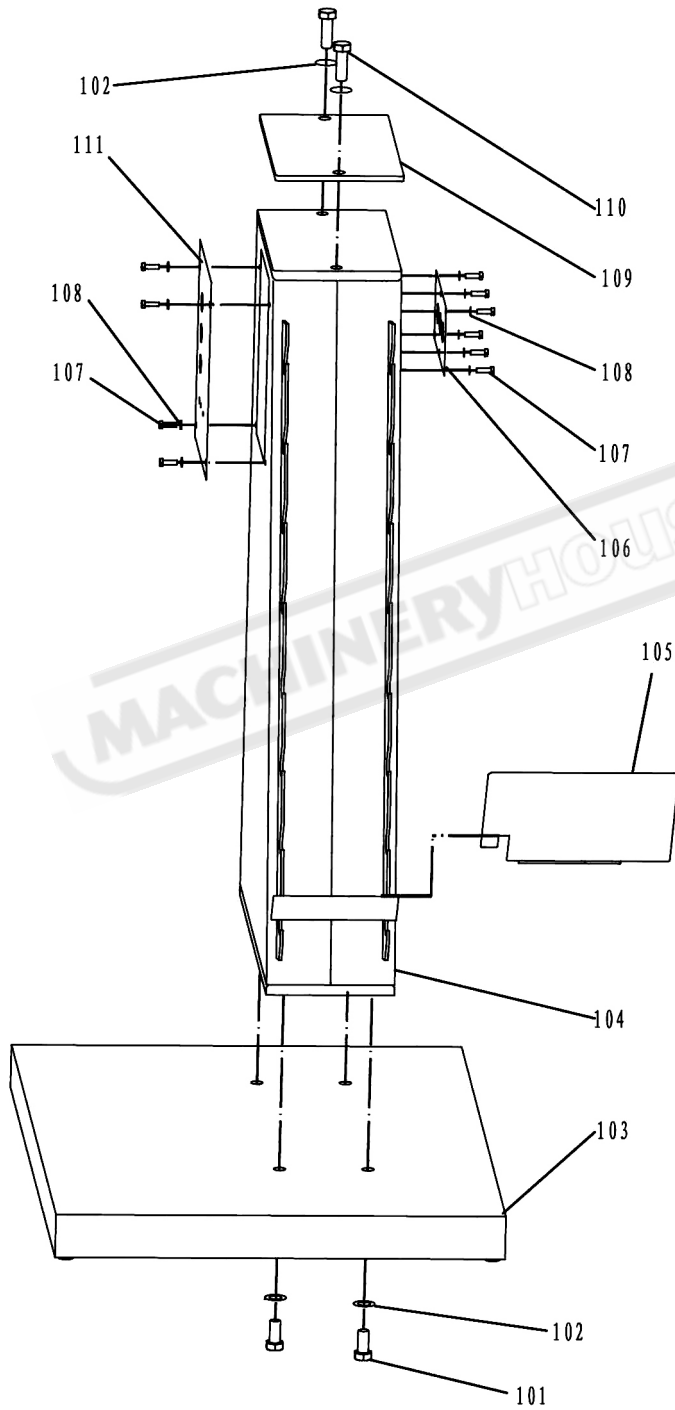
### NOTE: SOME PARTS MAY ONLY BE AVAILABLE AS AN ASSEMBLY

3. Go to [www.machineryhouse.com.au/contactus](http://www.machineryhouse.com.au/contactus) and fill out the inquiry form attaching a copy of scanned parts list.

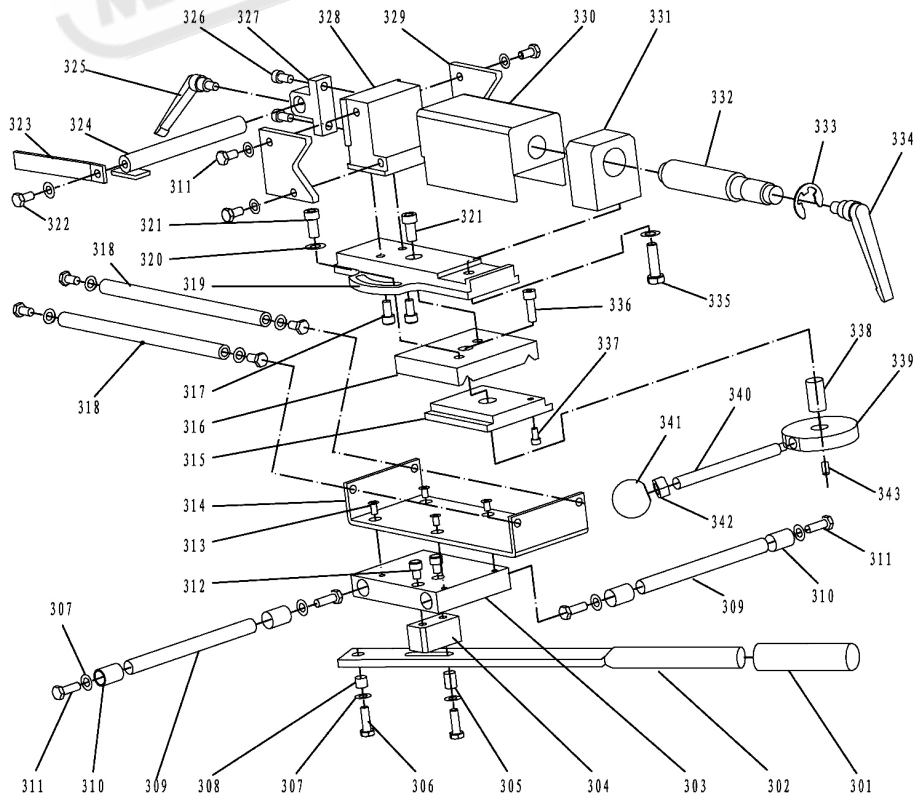
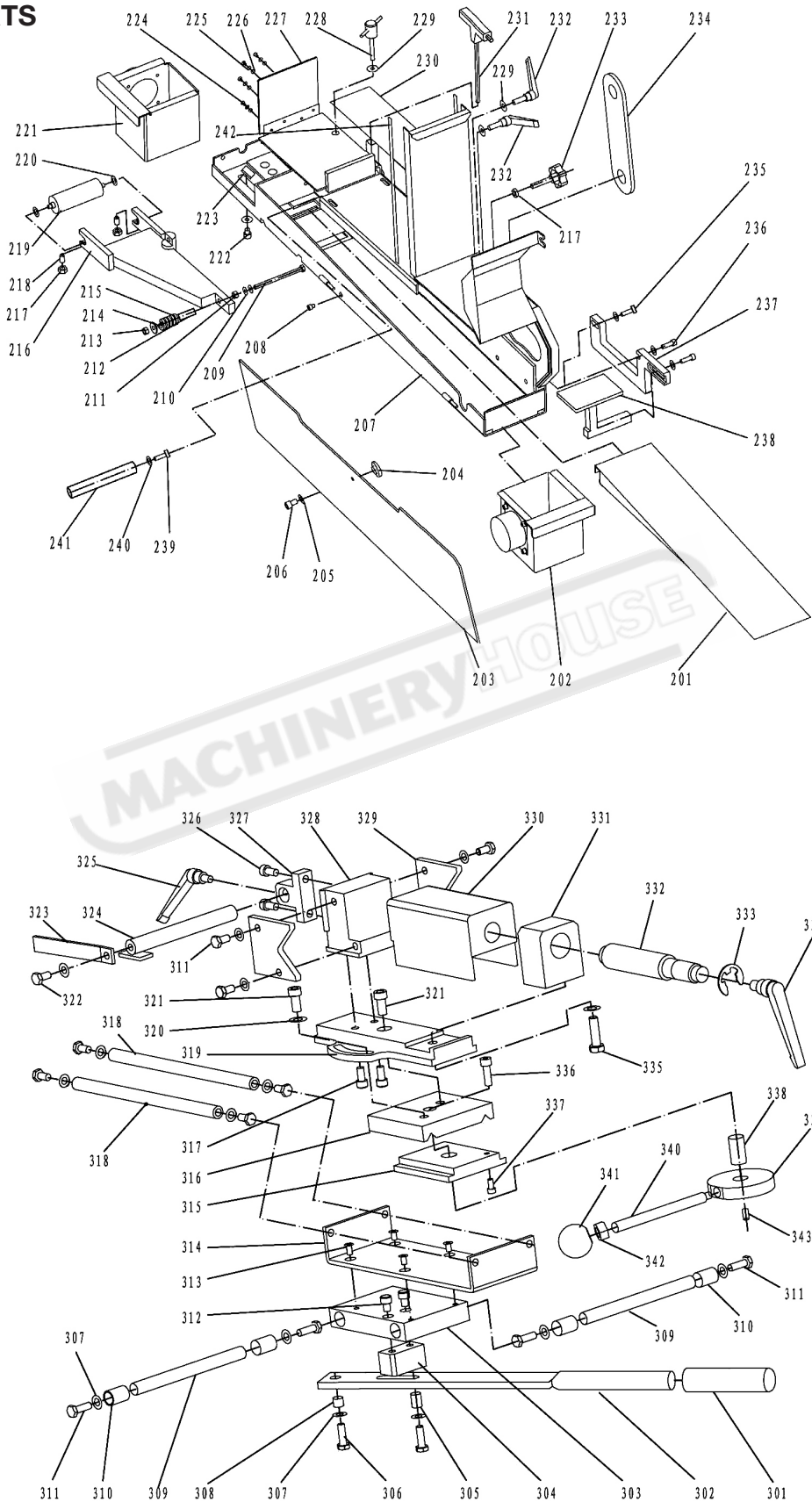
**SPARE PARTS**



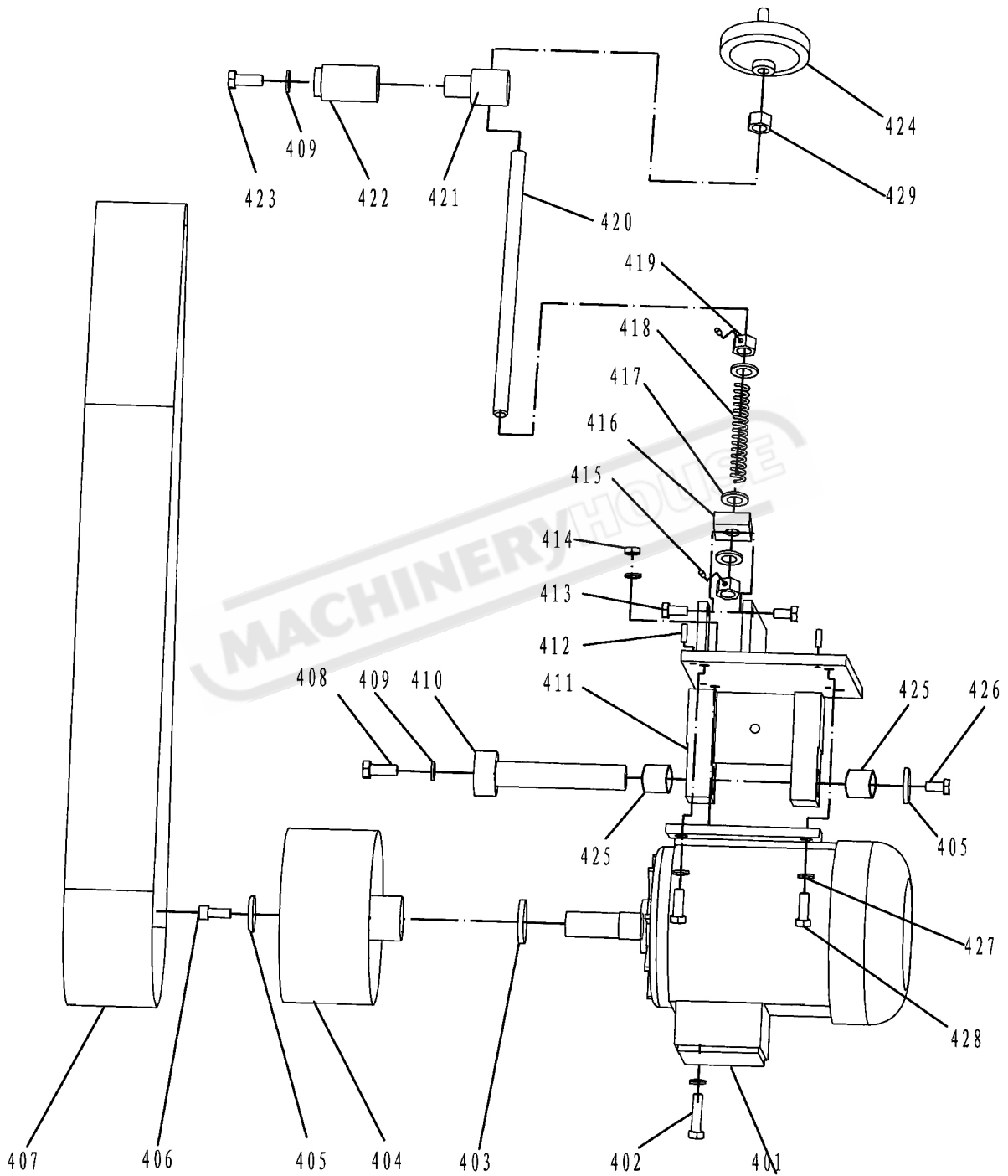
**SPARE PARTS**



**SPARE PARTS**



**SPARE PARTS**



**SPARE PARTS**

